



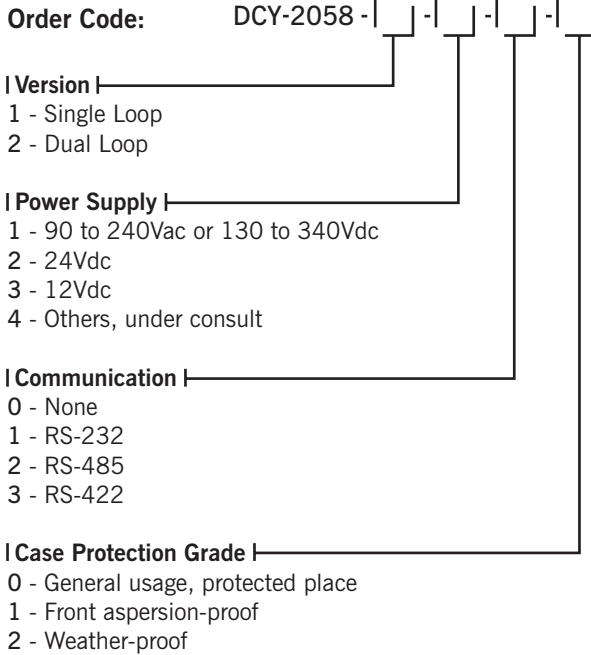
DCY-2058

# Process Dual Loop Auto-Manual Station

- Two standard inputs for 4-20mA, 1-5Vdc and 0-10Vdc.
- Up to two analog output modules of 4-20mA, 1-5Vdc and 0-10Vdc, isolated from inputs and power supply.
- Configurable to auto-manual or manual station.
- RS-232 or RS-422/485 communication.
- Power supply from 90 to 240Vac, 50/60Hz or dc levels.
- High accuracy.
- Configuration stored in non-volatile memory.

The design of DCY-2058 Auto-Manual Stations is characterized by high reliability and precision, electrical noise and EMI immunity, besides well elaborated technical manual. These features make them ideal for industrial applications in Instrumentation and Process Control.

They have an extruded aluminum case and use the best origin components and parts, proven by rigorous tests and specified according to the strictest worldwide norms. They offer two standard inputs that can be 4-20mA, 1-5Vdc and 0-10Vdc, selected by user. Power supply is universal and can be connected from 90 to 240Vac or dc levels when specified. RS-232 or RS-422/485 serial communication is optional.



## Specifications

### Inputs

Inputs for 4-20mA, 1-5Vdc and 0-10Vdc selected by user. Input impedance of 250Ω for mA, 10 MΩ for 5Vdc and 2 MΩ above 5Vdc.

### Outputs

4-20mA (750Ω maximum load), 1-5Vdc or 0-10Vdc analogic output. Up to two optional modules galvanically isolated to 300Vac from power supply and inputs.

### Serial Communication

RS-232 or RS-422/485 with 50Vdc isolation.

### Indication

Two 9mm red leds displays with four digits which can be configured together with the decimal point.

### Configuration

By front panel push-buttons, serial communication and internal jumpers.

### Sampling Rate

140 ms standard. Half second display update rate.

### Accuracy

± 0.1% of full scale for mA and Vdc input.  
± 0.5% of full scale for analogic output.

### Digital Filters

First order digital filters applied to the inputs with time constant from 0.0 to 25.0 seconds.

### 2-Wire Transmitter Power Supply

24Vdc/50mA maximum, isolated from output with short circuit protection.

### Span Temperature Coefficient

± 0.005% of input span for °C at 25°C ambient temperature.

### Power Supply

90 to 240Vac 50/60Hz, 24Vdc, 12Vdc or other values.  
10W nominal. See order code.

### Operating Ambient

0 to 50°C temperature and 90% maximum relative humidity.

### Dimensions

1/8 DIN (96x48x170mm) HxWxD, (92x45mm) HxW panel cutout.

### Weight

0.5kg nominal.

### Warranty

One-year warranty.