

LIQUID TANK LEVEL GAUGE

SERIES: LTLG600

- HIGH ACCURACY (+/- 2.0 MM)
- IDEAL FOR HUGE TANKS
- RELIABLE OPERATION

DESCRIPTION

Indumart *LTLG600* series of liquid tank level gauges are very reliable, robust and highly accurate instruments.

They work based on measuring displacement by float. The float which is connected to the measuring tape rises and falls according to the change of liquid level inside the tank. When the float rises measuring tape is wound to the constant spring drum in proportion to the change in liquid level. When the float falls, measuring tape is released by the weight of float, and this movement of float is transmitted to the point-scale plate (or counter) by the gear mechanism.

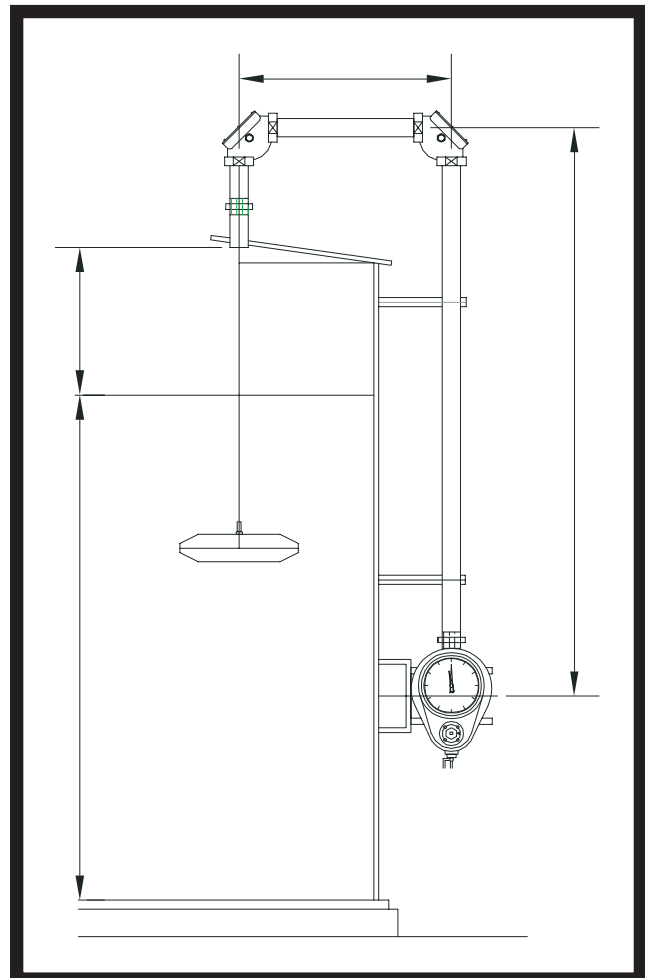
If remote indication is needed, the mechanical measurement is converted to a 4-20 mA output signal by a potentiometer.

APPLICATION (LOW PRESSURE)

Gasoline, Heavy Oil, Lamp Oil, Naphtha, Asphalt, Benzol, Thorium, Caustic Soda, Industrial Water, Distilled Water, Beer, Refined Rice Wine, Whisky, Soy, Molasses and etc....

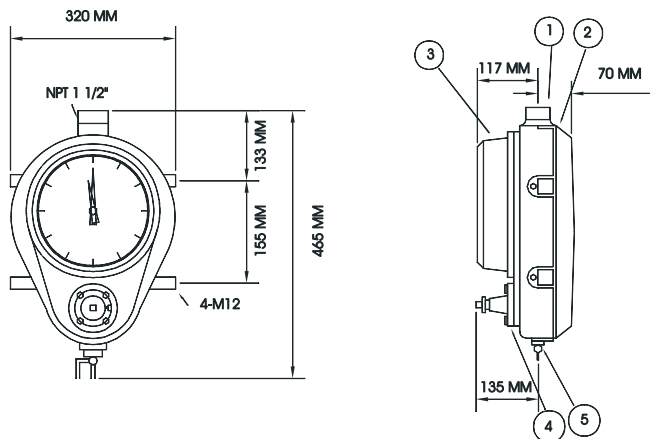
APPLICATION (MEDIUM PRESSURE)

LPG, Ammonia, Liquid Oxygen, Liquid Nitrogen, Liquid Carbonic Acid, Ethylene, Acetylene and etc...



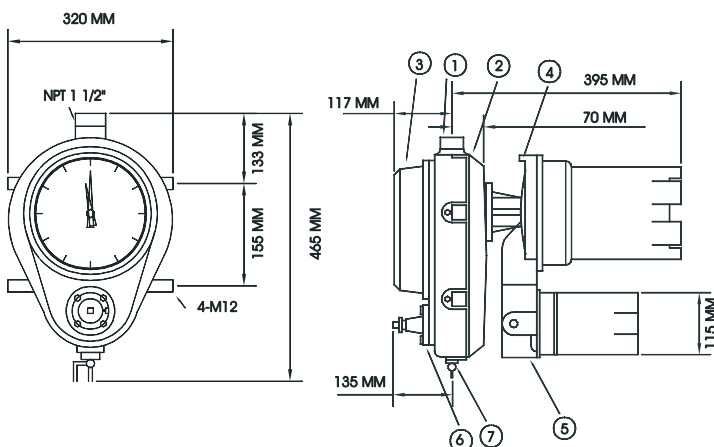
OVERALL DIMENSIONS

WEATHERPROOF TYPE



P/N.	Part Description	Qty.	Material
1	Body	1	Aluminum Diecasting
2	Back Cover	1	Aluminum Diecasting
3	Scale Cover	1	Aluminum Diecasting
4	Hoist Gear Assembly	1	Aluminum Casting
5	Drain Valve	1	Brass

EXPLOSION PROOF TYPE

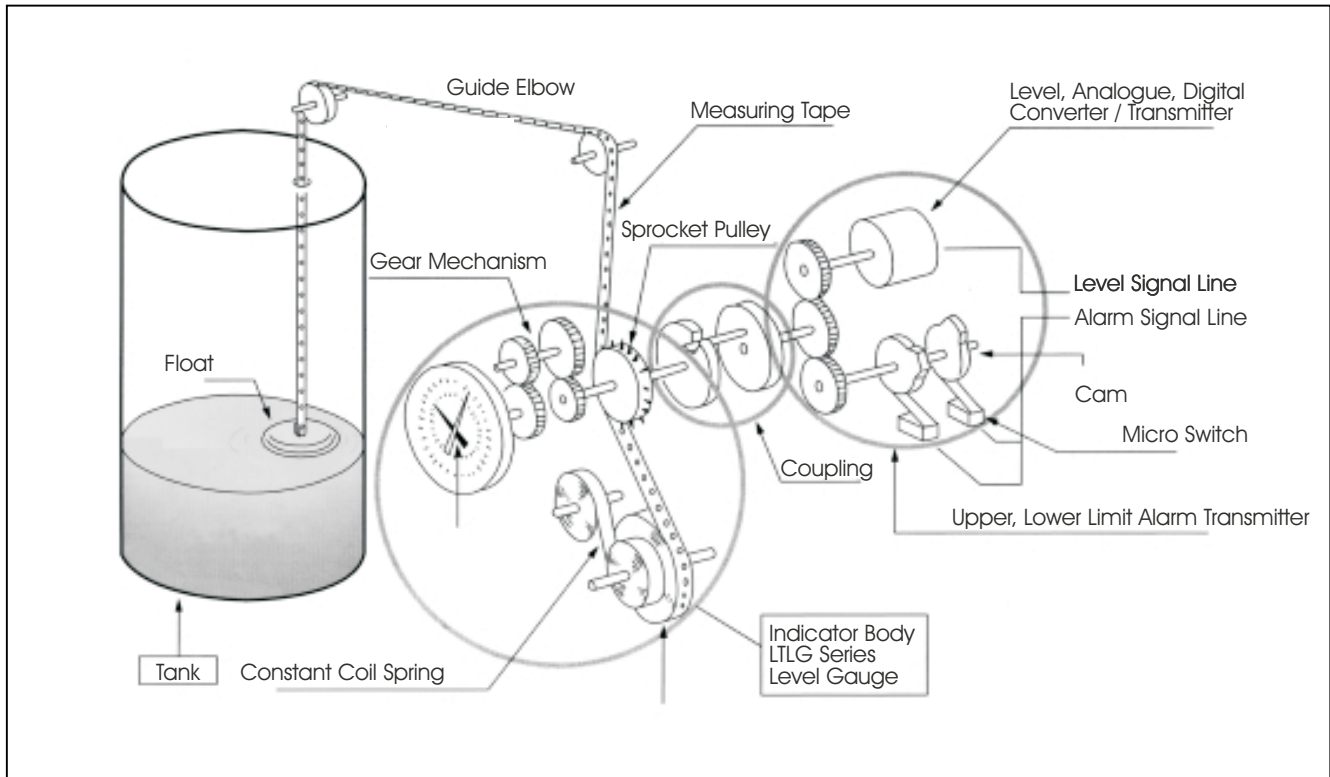


P/N.	Part Description	Qty.	Material
1	Body	1	Aluminum Diecasting
2	Back Cover	1	Aluminum Diecasting
3	Scale Cover	1	Aluminum Diecasting
4	Transmitter Assembly	1	Aluminum Diecasting
5	Terminal Box Assembly	1	Aluminum Diecasting
6	Hoist Gear Assembly	1	Aluminum Casting
7	Drain Valve	1	Brass

SPECIFICATIONS

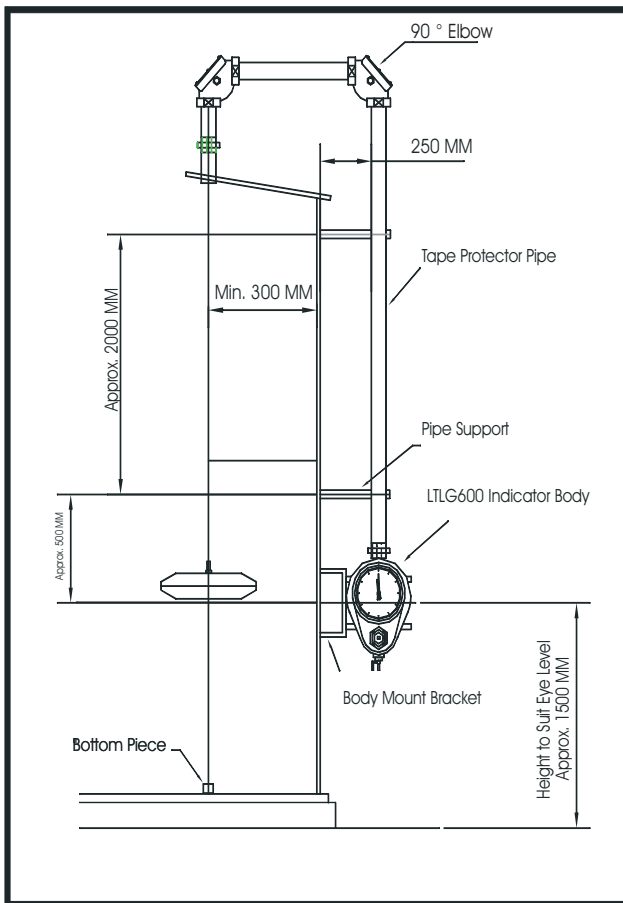
Model	LTLG600	LTLG600 - Seal Pipe Type
Measuring Method	Measuring Displacement by Float	Measuring Displacement by Float
Power Supply	15 - 32 VDC (2-Wire) - Transmitter Type Only	15 - 32 VDC (2-Wire) - Transmitter Type Only
Output Signal	Local Indicator / 1-8 Point Alarm / 4-20 mA DC Analogue	Local Indicator / 1-8 Point Alarm / 4-20 mA DC Analogue
Measuring Range	0-3 m, 5 m, 6 m, 10 m, 12 m, 15 m, 20 m (Max.)	0-3 m, 5 m, 6 m, 10 m, 12 m, 15 m (Max.)
Accuracy	+/- 2.0 mm	+/- 2.0 mm
Specific Gravity	0.65 Min.	0.65 Min.
Operating Pressure	0.2 bar	1 bar Max., 5 bar (Option)
Operating Temperature	120 °C	200 °C
Contact Rating	SPDT, 6A, 250 VAC	SPDT, 6A, 250 VAC
Enclosure	Weatherproof or Explosion Proof (Ex d IIB T6)	Weatherproof or Explosion Proof (Ex d IIB T6)

OPERATING STRUCTURE OF LTLG600

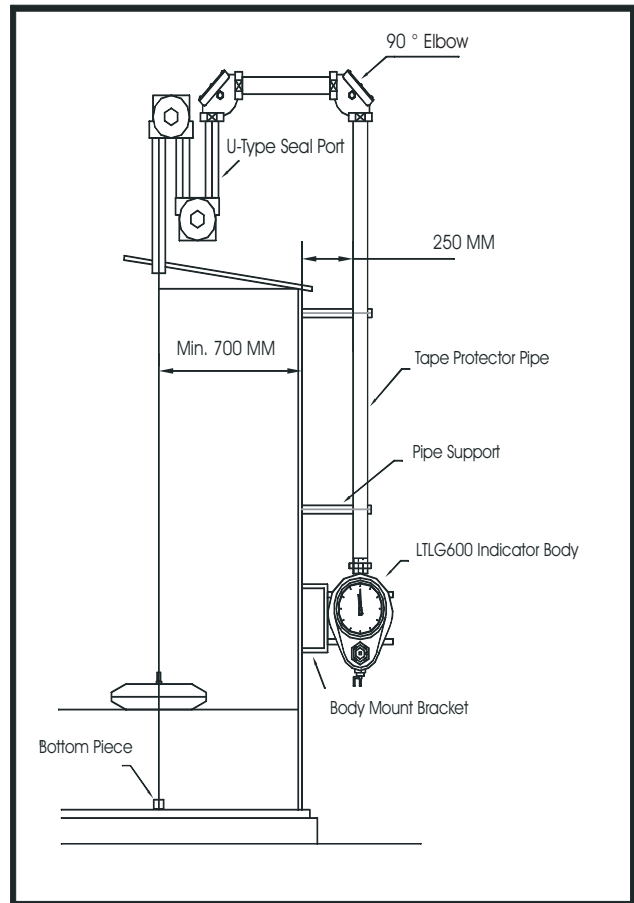


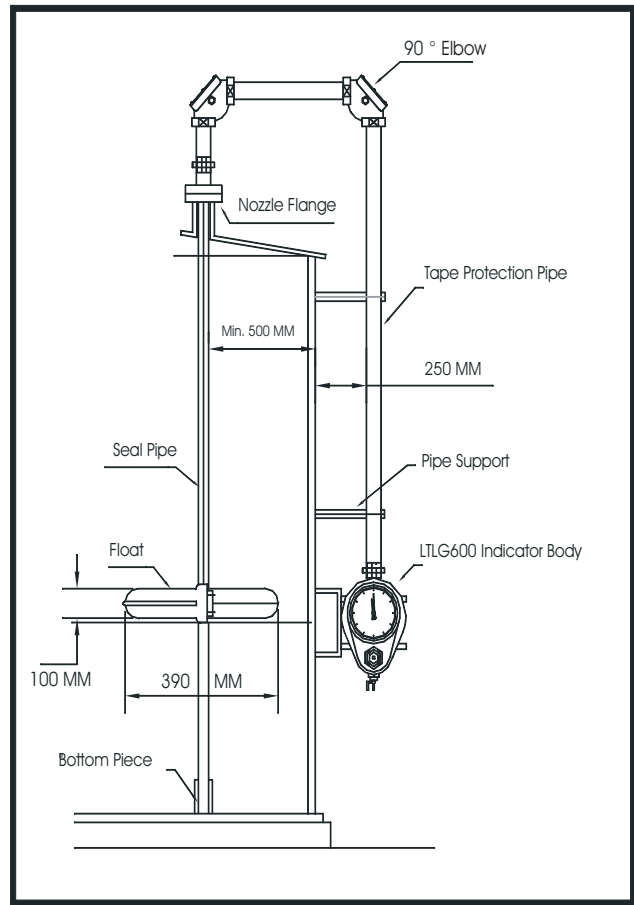
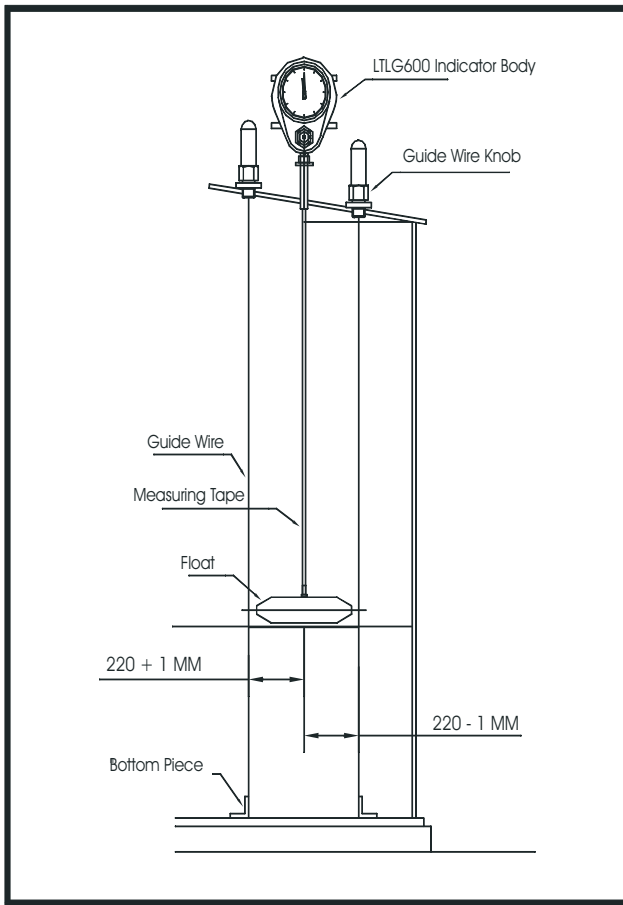
INSTALLATION OF LTLG600 ON A TANK

INSTALLATION TO THE SIDE OF THE TANK



INSTALLATION TO THE U-TYPE SEAL PORT





ORDER CODES

Model LTLG600 -

OUTPUT

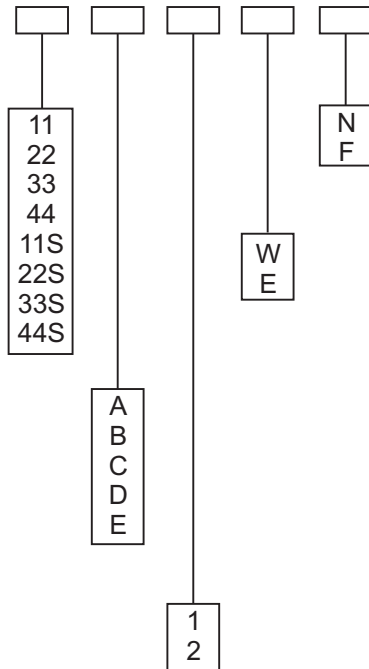
- Local Dial Indicator
- 4-20 mA
- 1-8 Point Alarm Output
- Alarm & 4-20 mA
- Local Dial Indicator (Seal Pipe Type)
- 4-20 mA (Seal Pipe Type)
- 1-8 Point Alarm Output (Seal Pipe Type)
- Alarm & 4-20 mA (Seal Pipe Type)

ALARM CONTACT

- None
- 2 Points
- 4 Points
- 6 Points
- 8 Points

WETTED PARTS MATERIAL

- 304 SS
- 316 SS



MOUNTING SIZE

1 1/2" NPT

Flange (Type should be Specified)

ENCLOSURE

- Weatherproof
- Explosion Proof (EX d IIB T6)

MEASURING PART LENGTH AND MOUNTING ORIENTATION (SIDE OR TOP) FOR LTLG600 SHOULD BE SPECIFIED AT THE TIME OF ORDERING

