

# Over Pressure Protector

## MODELS: A48 (Bellow Type) A49 (Piston Type)

### DESCRIPTION

Indumart Over-pressure Protectors are designed to protect pressure gauges or other instruments from damages caused by uncontrolled over pressure line.

They act as completely automatic valves that at a pre-set pressure close and consequently block the flow to the pressure elements. They remain close until the line pressure reaches to about 25% below the pre-set pressure.

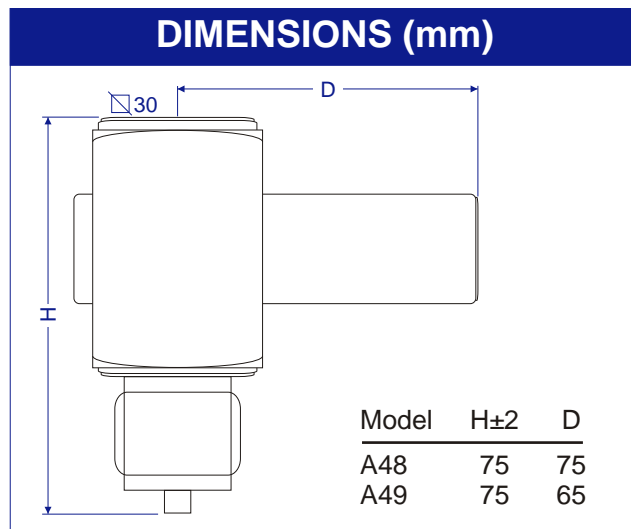
The bellow type (A48) is suitable for low pressure applications, and can be used between the gauge and the diaphragm seal.

The piston type (A49) is used for systems with higher than 60 psi (4 bar) pressure.



### SPECIFICATIONS

<b>Material</b>	Wetted parts 316 st. steel
<b>Sealing Rings</b>	Viton
<b>Operating Temperature</b>	-40...+120°C
<b>Over-pressure Safety</b>	8700 psi (600 bar)
<b>Pressure Connection</b>	½" NPT or BSP male
<b>Instrument Connection</b>	½" NPT or BSP female
<b>Weight</b>	0.6 kg (1.3 lb)



### ORDERING

A4  -

**TYPE**  
 Bellow Type (Up to 60 psi only) 8  
 Piston Type (60 to 8700 psi only) 9

**ADJUSTABLE RANGE**  
 3...22 psi (0.2 to 1.5 bar) 1  
 15...60 psi (1 to 4 bar) 2  
 60...230 psi (4 to 16 bar) 3  
 150...600 psi (10 to 40 bar) 4  
 450...1200 psi (30 to 80 bar) 5  
 900...2300 psi (60 to 160 bar) 6  
 1500...8700 psi (100 to 400 bar) 7

**PROCESS CONNECTION**  
 ½" NPT male 0  
 ½" BSP male 1

**INSTRUMENT CONNECTION**  
 ½" NPT female 0  
 ½" BSP female 1

**OPTION**  
 None 0  
 Monel Wetted Parts 1  
 Degreased for Oxygen 2