

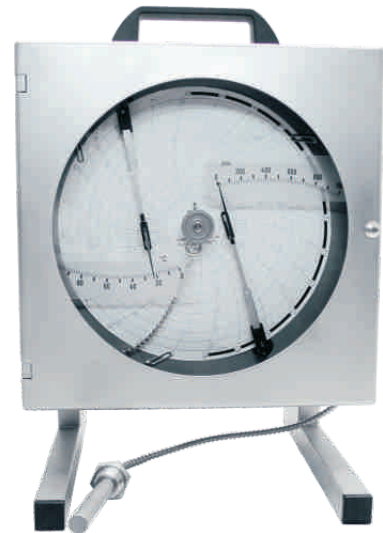


(1 or 2 TEMPERATURE or PRESSURE INPUTS)

SERIES: SCR86



With optional pressure gauges added to the standard model



- SINGLE OR TWO PEN
- 316 STAINLESS STEEL CASE
- INDICATION OF THE PROCESS VALUES
- FULLY MECHANICAL VERSION (NO POWER)
- DIRECT OR FLUSH MOUNTING - ALSO PORTABLE
- COMBINATIONS OF TEMPERATURE & PRESSURE INPUTS
- MEASURING RANGE TO SUIT CUSTOMER REQUIREMENTS

INTRODUCTION

The SCR86 Series Stainless Steel Circular Chart Recorders record up to 2 input signals on a round chart. Depending on the requirements, these recorders will be supplied with highly reliable heavy-duty temperature sensing systems or accurate pressure sensing elements. The value of the input(s) are indicated on a special dial(s).

The recorder is housed in a strong 316 stainless steel case that can be panel or surface mounted, or it can be carried for field experiments. A gasketed door protects internal components from harsh industrial environments and offers IP-44 protection. The fully mechanical mechanism does not require electrical power and is ideal for intrinsically safe applications.

The spring wound chart drives may be specified for time spans of 1, 4, 12, 24 or 168 hours.

Optionally, when ordering for pressure applications, the user may require pressure gauges to be mounted on the face of the recorder to indicate the input value(s) and order to equip the recorder with special hose and flange connection(s) for high pressure inputs.

SPECIFICATIONS

General

| | |
|-------------------------|--|
| Accuracy | ± 1% F.S. |
| Case | 316 stainless steel |
| Protection Class | IP-44 |
| Window | Plexiglas |
| Chart Diameter | Round, 223 or 300 mm |
| Clock | Mechanical spring wound |
| Rotation | 1, 4, 12, 24 or 168 hr (7 days) |
| Pen | Feltpen |
| Mounting | Surface, flush panel or portable |
| Ambient Temp. | -20...+40°C |
| Weight | 6 kg for the 223 mm model 9 kg for the 300 mm model |

Temperature System

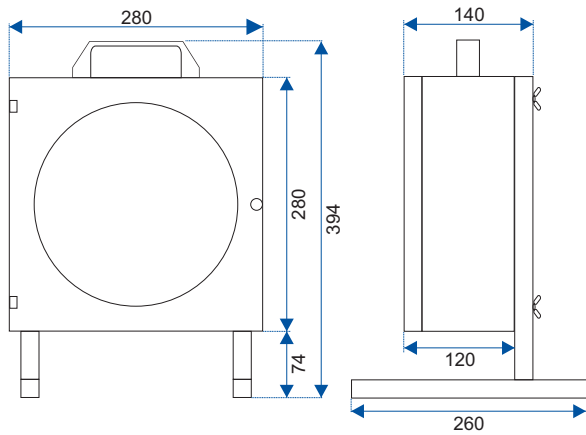
| | |
|--------------------------|--|
| Measuring Element | Thermal Bourdon tube |
| Capillary Length | 1 m standard. Other lengths to be specified by customer |
| Bulb & Stem | 12 mm bulb, AISI 316 |
| Fittings | Adjustable compression gland, stainless steel, 1/2" thread |

Pressure System

| | |
|--------------------------|--|
| Measuring Element | Bourdon tube or spiral wound bourdon tube as applicable |
| Connection | 1/2" NPTm to suit 1/2" NPTf receiver; High pressure hose & flange (option) |
| Pressure Gauge | May be specified as option |

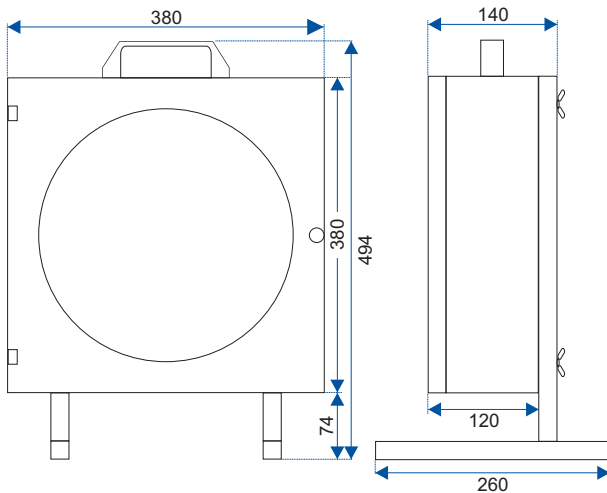
DIMENSIONS AND FIXING (mm)

Portable 223 mm Model



Panel or Surface Mount: 280 x 280 x 120 mm

Portable 300 mm Model



Panel or Surface Mount: 380 x 380 x 120 mm

ORDER CODES

Model: **SCR86** - [] - [] - [] - [] - []

1st INPUT
Temperature
Pressure

T
P

2nd INPUT
Temperature
Pressure
None

T
P
X

CHART DIAMETER

223 mm
300 mm

2
3

ROTATION PERIOD

1 Hour
4 Hour
12 Hour
24 Hour (1 Day)
168 Hour (7 Day)

01
04
12
24
7D

MOUNTING

Flush Panel
Surface
Portable

F
S
P

OPTIONAL ACCESSORIES

Pressure Gauge for pressure input(s)
(for 300 mm chart diameter case only)

G

Notes:

- *Input range(s) and capillary length(s) must be specified by the customer.*
- *Other bulb diameters and stem lengths may be ordered; please consult Indumart Co. or its representative.*

ALSO
AVAILABLE



INDUMART INC.

1 - 15 West Pearce St., Richmond Hill, Ont. L4B 1H6, Canada
Phone: (905) 707-9998 Fax: (905) 707-8484 E-mail: sales@indumart.com